

# DSG-SoLID R&D Meeting Minutes

**Date:** April 1, 2021

**Time:** 11:00 – 12:00

*Attendees:* Mary Ann Antonioli, Aaron Brown, Peter Bonneau, Pablo Campero, Brian Eng, George Jacobs, Marc McMullen, Tyler Lemon, and Amrit Yegneswaran

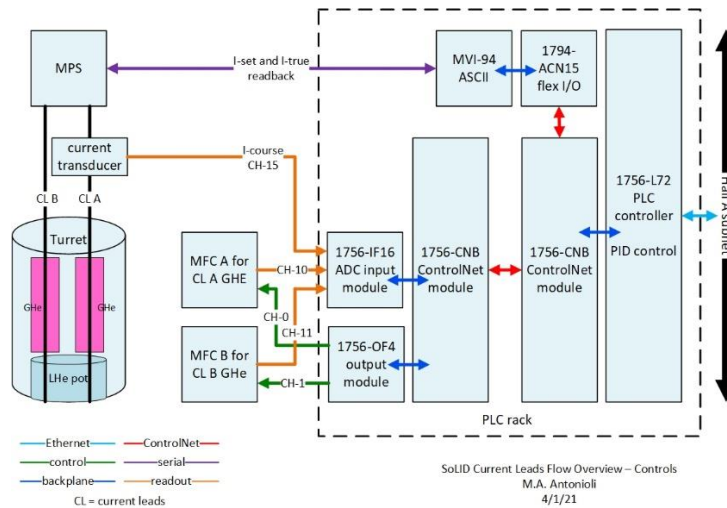
## 1. Reviewed Hall A SoLID Magnet Control Systems meeting minutes from March 31, 2021

DSG

1. Discussed options for cable to connect magnet temperature sensors to instrumentation rack
2. Will continue development of cable diagram drawings

## 2. Reviewed Hall A SoLID Solenoid Current Leads Flow Control Visio diagram

Mary Ann Antonioli and Pablo Campero



## 3. Constant Current Source board status

Marc McMullen and Mindy Leffel

1. Gave the eight completed boards to Steven Lassiter
2. Boards will be installed in the instrumentation rack

## 4. Documentation status

Pablo Campero and Mary Ann Antonioli

1. Wrote DSG note on *Valve Setup* and *Proportional Position* HMI and CSS screens
2. Note is under revision

## 5. Cable sensors procurement

DSG

1. Marc McMullen will research options for cables for temperature sensors and voltage taps